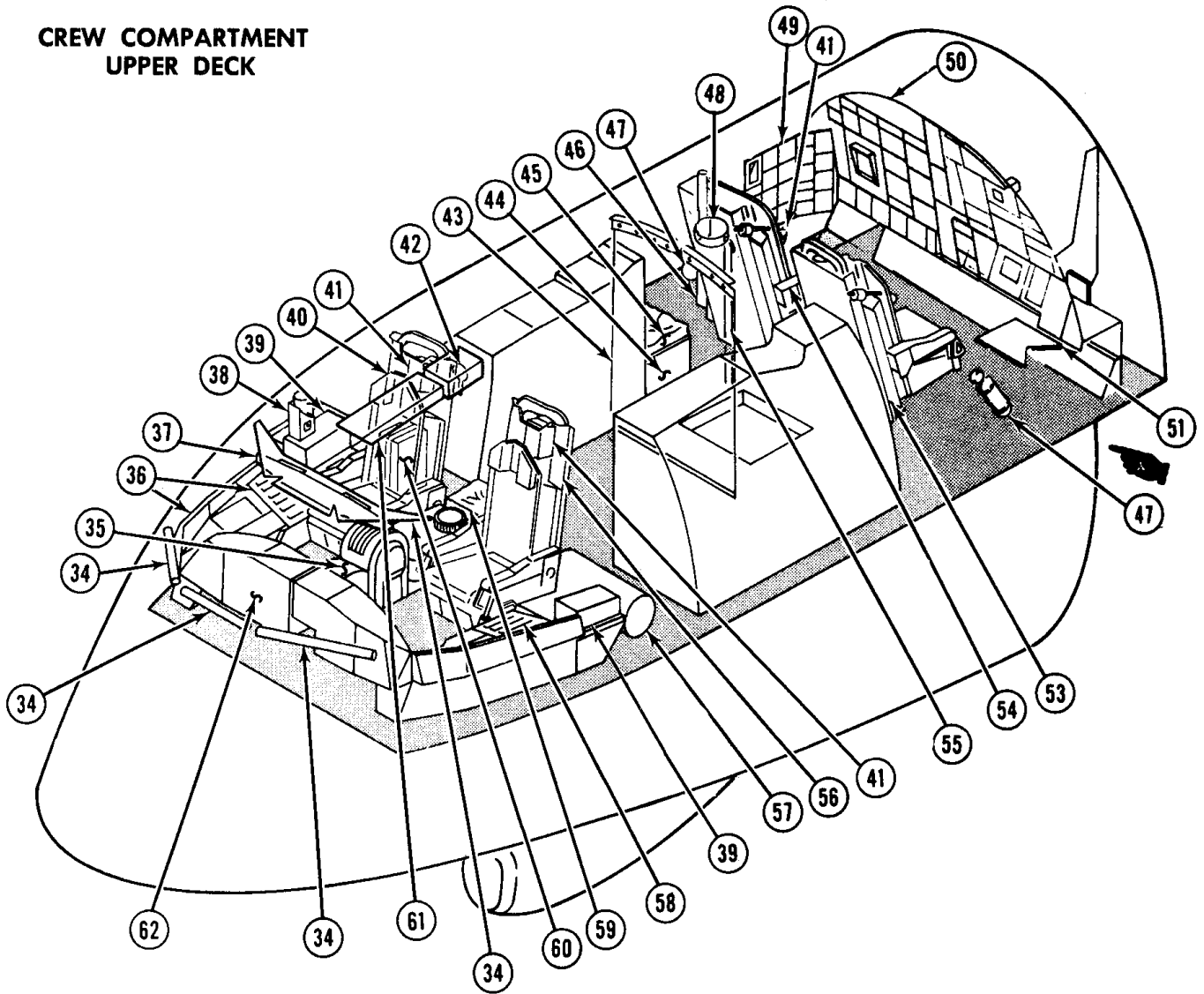


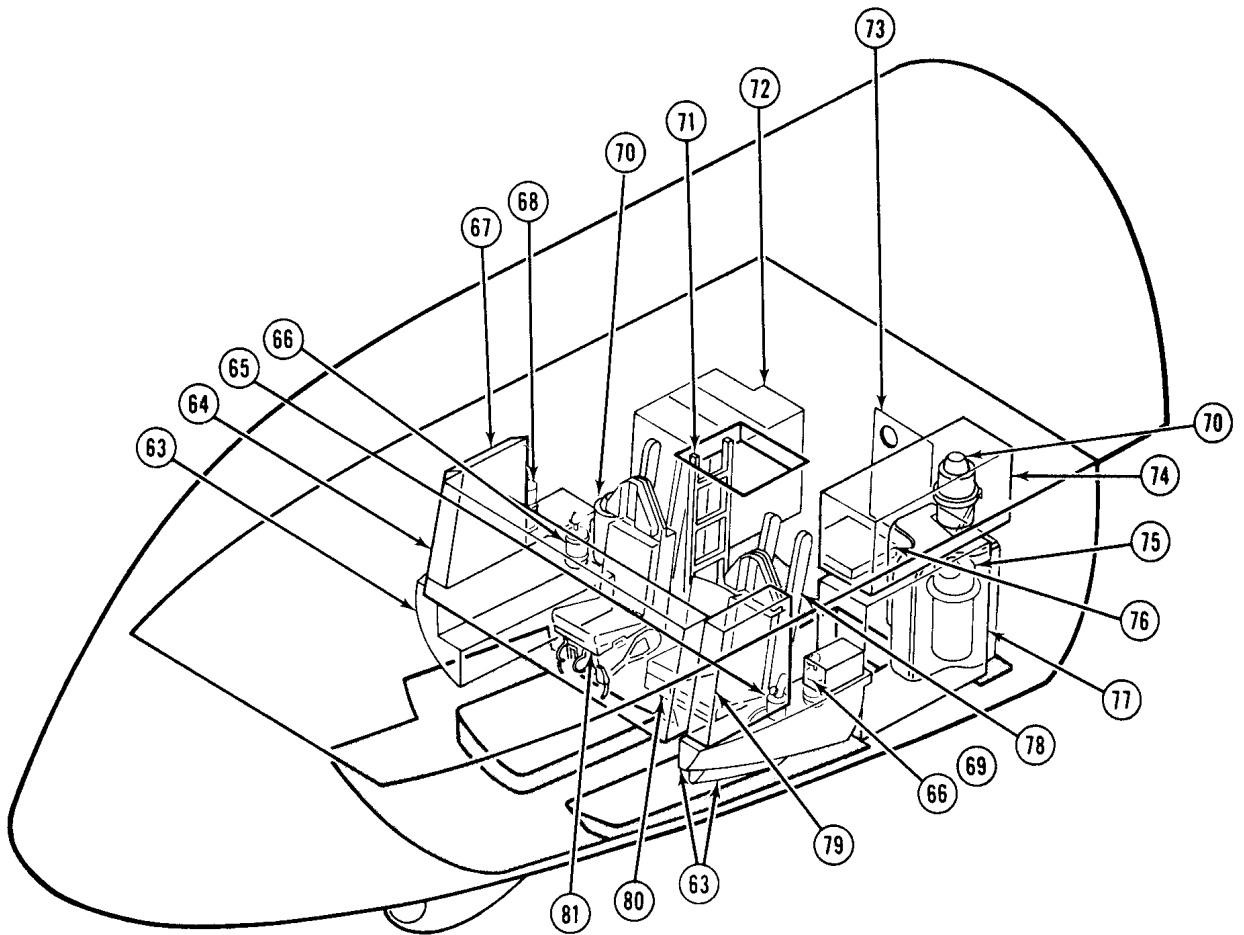
Schematic shows general arrangement of cockpit, B-52G

**CREW COMPARTMENT  
UPPER DECK**



- 34. THERMAL CURTAIN
- 35. AISLE STAND
- 36. COPILOT'S SIDE PANEL
- 37. EYEBROW INSTRUMENT PANEL
- 38. HOT CUP
- 39. FOOD AND DATA BOX
- 40. COPILOT'S SEAT
- 41. STATION URINAL
- 42. SIGNAL LIGHT
- 43. NIGHT FLYING CURTAIN
- 44. TOILET
- 45. DEFENSE INSTRUCTOR'S SEAT
- 46. FOOD STOWAGE BOX
- 47. OXYGEN BOTTLE

- 48. PERISCOPIC SEXTANT MOUNT
- 49. EW OFFICER'S SIDE PANEL
- 50. DEFENSE STATION INSTRUMENT PANEL
- 51. GUNNER'S PULLOUT TABLE
- 52. (DELETED)
- 53. GUNNER'S SEAT
- 54. EW OFFICER'S SEAT
- 55. STANCHION
- 56. PILOT'S SEAT
- 57. MATTRESS STOWAGE
- 58. PILOT'S SIDE PANEL
- 59. INSTRUCTOR PILOT'S SEAT
- 60. PERISCOPIC SEXTANT CARRYING CASE
- 61. PILOTS' OVERHEAD PANEL
- 62. PILOTS' INSTRUMENT PANEL



**CREW COMPARTMENT  
LOWER DECK**

- |                                   |   |
|-----------------------------------|---|
| 63. MISCELLANEOUS EQUIPMENT SHELF | 73. PRESSURE BULKHEAD DOOR                          |
| 64. NAVIGATORS' INSTRUMENT PANEL  | 74. ELECTRONIC EQUIPMENT RACK                       |
| 65. STATION URINAL                | 75. CENTRAL URINAL                                  |
| 66. OXYGEN BOTTLE                 | 76. INSTRUCTOR NAVIGATOR'S TAKEOFF-<br>LANDING SEAT |
| 67. NAVIGATOR'S SIDE PANEL        | 77. POWER SUPPLY RACK                               |
| 68. HOT CUP                       | 78. RADAR NAVIGATOR'S SEAT                          |
| 69. FOOD STOWAGE BOX              | 79. RADAR NAVIGATOR'S SIDE PANEL                    |
| 70. DRINKING WATER CONTAINER      | 80. INSTRUCTOR NAVIGATOR'S DUTY SEAT                |
| 71. LADDER                        | 81. NAVIGATOR'S SEAT                                |
| 72. REMOTE MODULES RACK           |   |